

Discontinuation Notice of RFID System V690 series

REQUEST

There was modification in portion of Product Discontinuation Notices of Product News No. 2009244E of 2009 September issue. Please abolish old edition, replace the latest No. 2009244E.

Product Discontinuation



Model V690 series



Recommended Replacement

No recommended replacement

Model V690-HMG01A (RFID antenna)
Discontinuation date : The end of September, 2009

Model V690-D8KR01A (RFID tag)
Model V690-L01 (Link Unit)
Model V690-A□□□ (Cable)
Discontinuation date : The end of September, 2010

Product Discontinuation and recommended replacement

Product discontinuation	Recommended replacement
V690-HMG01A	No Replacement
V690-D8KR01A	No Replacement
V690-L01	No Replacement
V690-A40/-A41/-A42/-A43/-A44	No Replacement
V690-A50/-A51/-A52/-A53/-A54/-A55/-A56	No Replacement

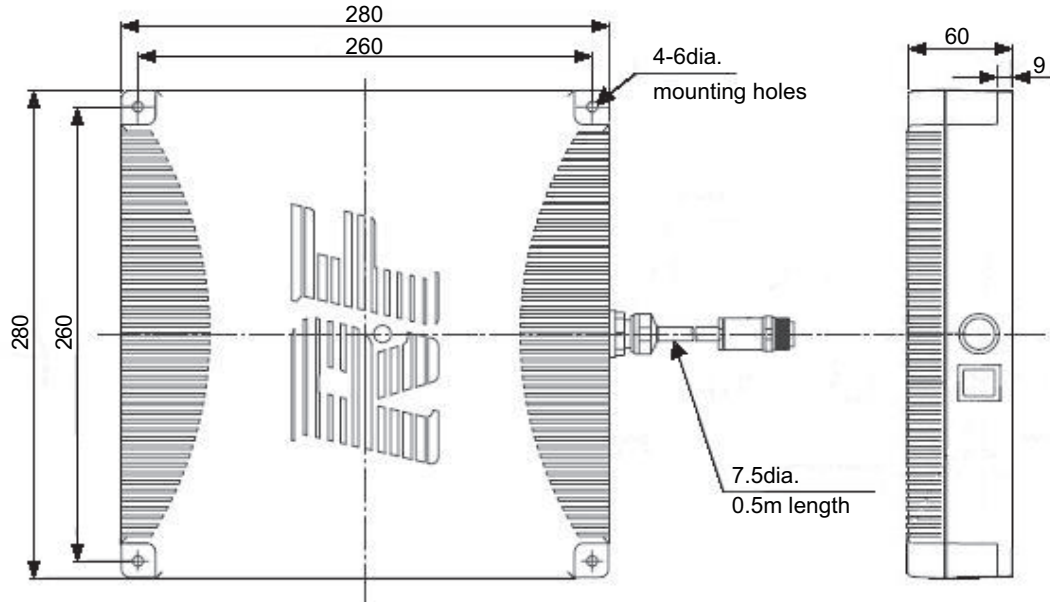
Body color

Product discontinuation	Recommended replacement
Model V690-HMG01A: Beige	No Replacement
Model V690-D8KR01A: Beige	No Replacement
Model V690-L01: Beige	No Replacement
Model V690-A4 series: Gray	No Replacement
Model V690-A5 series: Gray	No Replacement

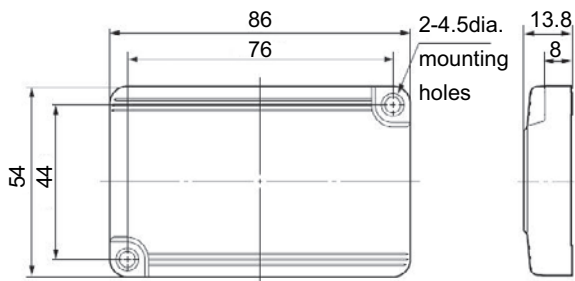
Dimensions

Product discontinuation

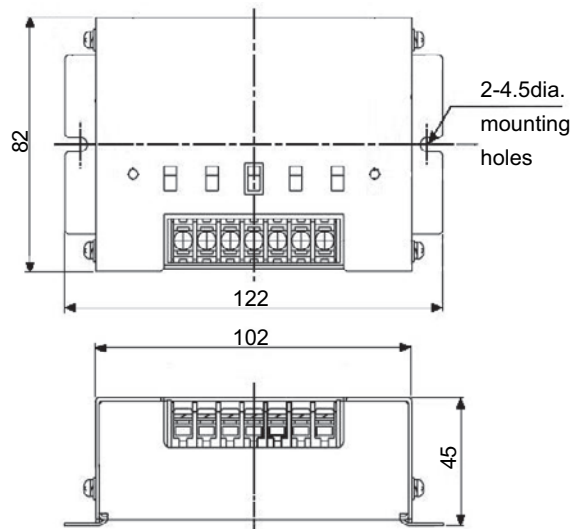
Model V690-HMG01A



Model V690-D8KR01A



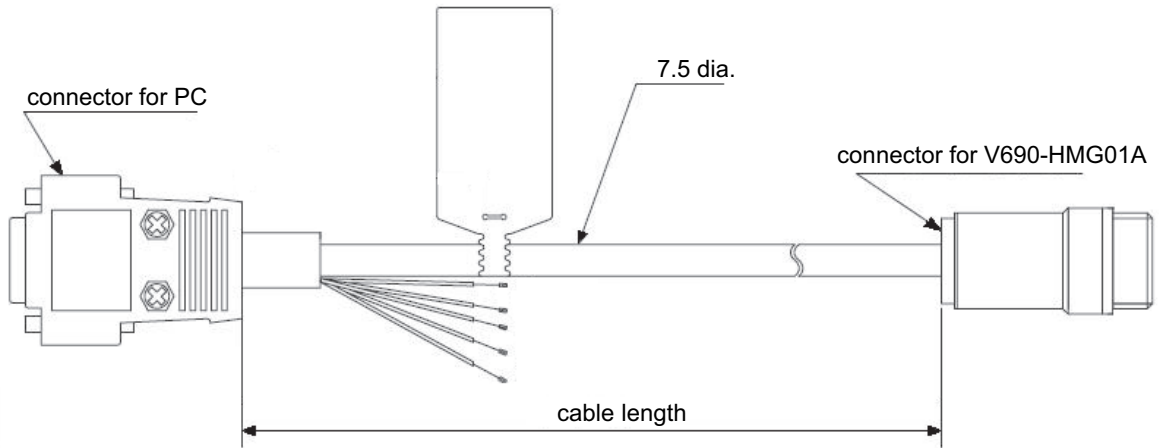
Model V690-L01



Dimensions

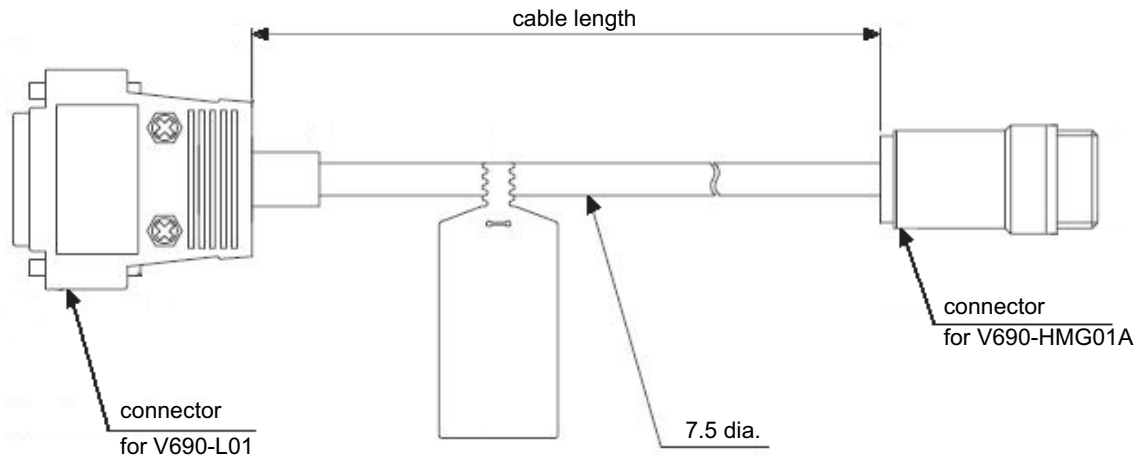
Product discontinuation

Model V690-A4 series



Model	V690-A40	V690-A41	V690-A42	V690-A43	V690-A44
Cable length	2M	3M	5M	10M	15M

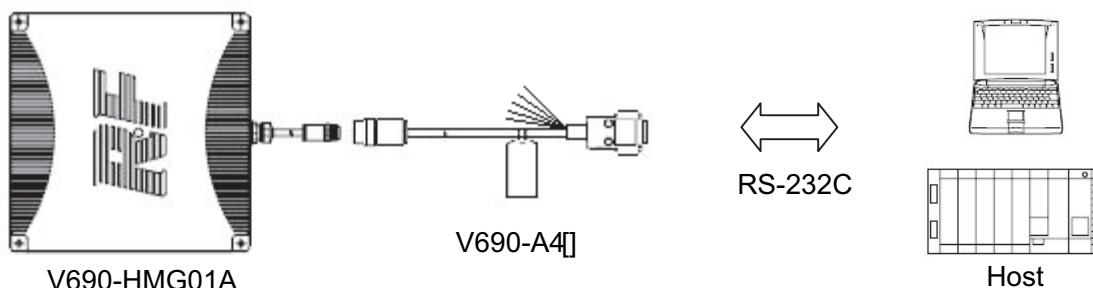
Model V690-A5 series



Model	V690-A50	V690-A51	V690-A52	V690-A53	V690-A54	V690-A55	V690-A56
Cable length	2M	3M	5M	10M	20M	30M	50M

Product discontinuation

For RS-232C interface



Connecting the Leader Lines of RS-232C Connecting Cable

Leader lines of Connecting Cable		Details of connection
Brown	Thick wire: AWG22	(+) of 24 VDC power supply
Blue		(-) of 24 VDC power supply
Light green	Thin wire: AWG26	+P and -P for the setting mode: Open for operation mode. Short-circuit for setting mode.
Black		
Green/Yellow	Thick wire: AWG22	Ground to 100Ω or less.

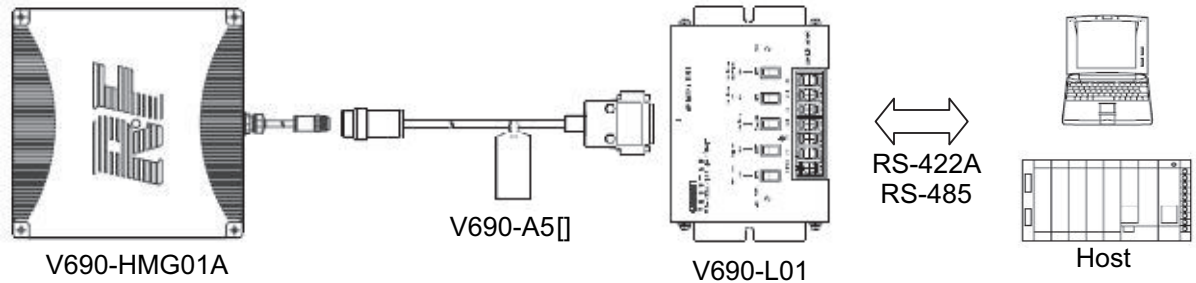
Connector Pin Layout

Pin No.	IBM PC/AT or compatible	V690-A4[] RS-232C Connecting Cable
	Socket (Male)	Plug (Female)
1	-	-
2	RD (Receiving)	TX (Sending)
3	SD (Sending)	RX (Receiving)
4	-	-
5	SG (Signal ground)	SG (Signal ground)
6	-	-
7	RS (Request to send)	Loop back (Short-circuit)
8	CS (Clear to send)	
9	-	-

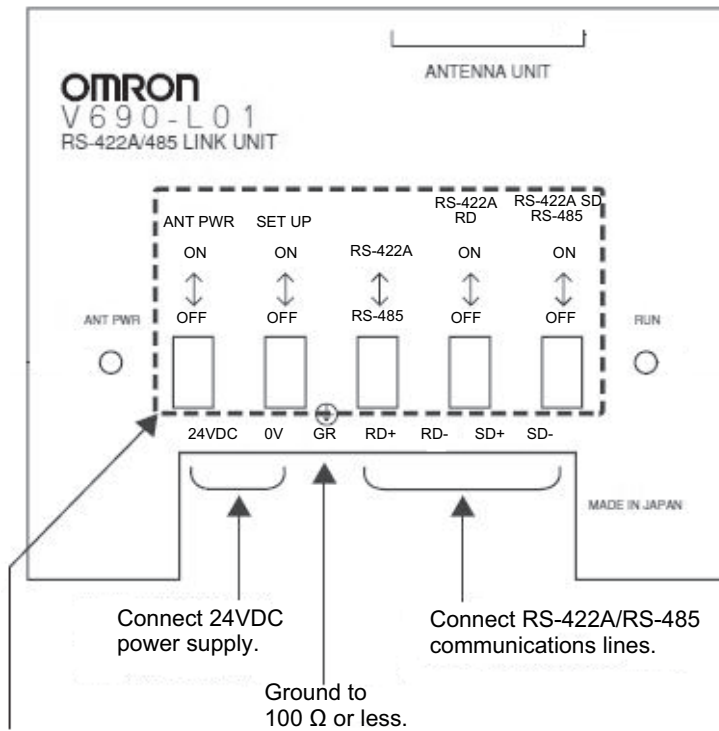
Wire Connection

Product discontinuation

For RS-422A / RS-485 interface



Connecting of V690-L01



ANT PWR	SET UP	RS-422A RS-485	RS-422A RD	RS-422A SD RS-485
Turn ON to supply power to the Antenna. Turn OFF to turn OFF the power to the Antenna.	Turn ON to short-circuit the setting mode terminals (+P and -P). Turn OFF to open the circuit between the setting mode terminals (+P and -P).	Switches between RS-422A and RS-485.	Connects/disconnects the terminating resistance (220Ω) of RS-422A RD (Receiving) for RS-422A communications. The terminating resistance cannot be turned ON/OFF for RS-485 communications.	Connects/disconnects the terminating resistance (220Ω) of RS-422A SD (Sending) for RS-422A communications. The terminating resistance cannot be turned ON/OFF for RS-485 communications.

Characteristics

V690-HMG01A

item	Specifications
Emitting frequency	2,450MHz band (2,434.25 to 2,465.75MHz)
Power supplied to Antenna	5mW in low-power (2m) mode, 10mW in high-power (5m) mode (The system is thus classified as a specified low-power wireless station - wireless equipment for mobile object identification in Japan. The user is not required to apply for a license for a wireless station in Japan for this type of system.)
Power supply	24VDC +10%/-15%
Consumption current	0.5A max.
Ambient operating temperature	-20 to +60°C (with no icing)
Ambient operating humidity	35% to 85% (with no condensation)
Ambient storage temperature	-20 to +60°C (with no icing)
Ambient storage humidity	35% to 85% (with no condensation)
Insulation resistance	20MΩ min. (at 100VDC) between the cable terminals as a group and the case
Withstand voltage	1,000VAC, 50/60Hz for 1 minute, detected current of 1mA or less between the cable terminals as a group and the case
Degree of protection	IP62 (IEC60529) *With the cable outlet turned downward.
Vibration resistance	10 to 150Hz, single amplitude 0.35mm, maximum acceleration 50m/s ² sweeping 10 times for 8 minutes in X, Y, and Z directions
Shock resistance	150m/s ² three times each in X, Y, and Z directions, 18 times total
Indicator	Power supply, radio wave emission, host transmission, Tag transmission
Cable length	0.5m (A round connector (watertight) comes with the cable.)
Weight	2.6kg max. (including a cable of 0.5 m in length and connector)

Note: About the detail characteristics and operation ratings, please confirm the operation manuals.

V690-D8KR01A

item	Specifications
Memory capacity	8 K bytes
Type of memory	SRAM (volatile memory). Data is backed up by a battery.
Battery life (Reference value)	5 years * At an ambient temperature of 25°C. For details, refer to operation manual.
Ambient operating temperature	-20 to +60°C during communications, -25 to +70°C otherwise (with no icing)
Ambient operating humidity	35% to 85% (with no condensation)
Ambient storage temperature	-25 to +70°C (with no icing)
Ambient operating humidity	35% to 85% (with no condensation)
Degree of protection	IP67 (IEC60529) and IP67g (JEM1030) * When mounted on a flat surface without any level difference.
Vibration resistance	10 to 2,000Hz, single amplitude 0.75mm, maximum acceleration 150m/s ² sweeping 10 times for 15 minutes in X, Y, and Z directions
Shock resistance	500m/s ² 3 times each in X, Y, and Z directions, 18 times total
Weight	75g max.

Note: About the detail characteristics and operation ratings, please confirm the operation manuals.

Characteristics

V690-L01

item	Specifications
Interface specifications	RS-422A, RS-485
Power supply voltage	24VDC
Allowable voltage	20.4 to 26.4VDC
Power consumption	6W max.
Operating temperature	0 to 55°C (with no icing)
Operating humidity	35% to 85% (with no condensation)
Storage temperature	-10 to +65°C (with no icing)
Storage humidity	35% to 85% (without condensation)
Insulation resistance	20MΩ min. (at 100VDC) between the cable terminals as a group and the case, excluding GR
Withstand voltage	1,000VAC, 50/60Hz for 1 minute, detected current of 20mA or less between the cable terminals as a group and the case, excluding GR
Degree of protection	IP30 (IEC60529) *When connected to connector on V690-A5[] Connecting Cable.
Vibration resistance	10 to 150 Hz, single amplitude 0.35mm, maximum acceleration 50m/s ² sweeping 10 times for 8 minutes in X, Y, and Z directions
Shock resistance	150m/s ² 3 times each in X, Y, and Z directions, 18 times total
Ground	Ground to 100Ω or less.
Weight	450g or less

Note: About the detail characteristics and operation ratings, please confirm the operation manuals.