

E5CC OMRON

Digital Controller

EN INSTRUCTION MANUAL

Thank you for purchasing the OMRON E5CC Digital Controller. This manual describes the functions, performance, and application methods needed for optimum use of the product. Please observe the following items when using the product.

- This product is designed for use by qualified personnel with a knowledge of electrical systems.
- Before using the product, thoroughly read and understand this manual to ensure correct use.
- Keep this manual in a safe location so that it is available for reference whenever required.

OMRON Corporation
©All Rights Reserved

Refer to the E5CC Digital Controllers User's Manual (Cat. No. H174) for detailed application procedures.

Safety Precautions

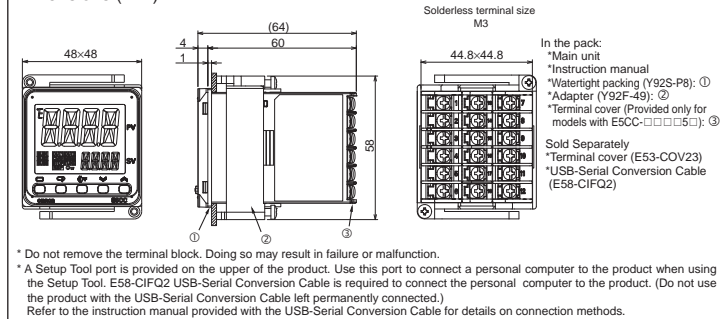
Key to Warning Symbols

CAUTION Indicates a potentially hazardous situation which, if not avoided, is likely to result in minor or moderate injury or property damage. Read this manual carefully before using the product.

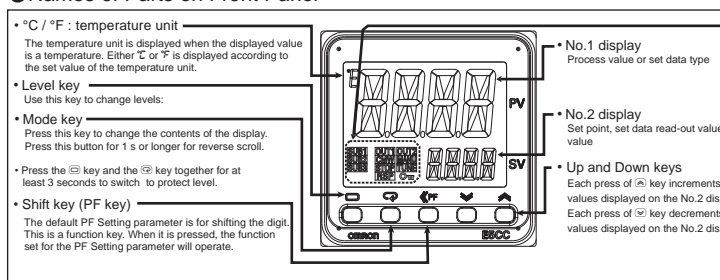
Wiring

Dimensions

Dimensions (mm)



Names of Parts on Front Panel



Operation Menu

Input Type

Input type	Input	Setting	Setting range
Temperature inputs	Platinum resistance thermometer	Pt100	0 -200 to 850 -199.9 to 500.0 0.0 to 210.0
		JPt100	3 -199.9 to 500.0 -199.9 to 900.0
	Thermocouple	K	4 0.0 to 100.0 -200 to 1300 0.0 to 210.0
		J	7 -100 to 850 -200.0 to 400.0 -100 to 1500
		T	8 -200 to 400 -300 to 700
		10	-199.9 to 400.0 -199.9 to 700.0
		E	11 -200 to 600 -300 to 1100
		L	12 -100 to 850 -100 to 1500
		U	13 -200 to 400 -300 to 700
		N	15 -200 to 1300 -300 to 2300
Infrared Thermosensor ES1B	10 to 70°C	21 0 to 90 0 to 190	
	60 to 120°C	22 0 to 120 0 to 240	
	115 to 165°C	23 0 to 165 0 to 320	
	140 to 260°C	24 0 to 260 0 to 500	
	Current input	4 to 20mA	25 Use the following ranges for scaling: -1999 to 9999, -199.9 to 999.9, -19.99 to 99.99
		0 to 5V	26
	Voltage input	0 to 5V	28
		0 to 10V	29

*The default is "5".
 *SEPR will be displayed when a platinum resistance thermometer is mistakenly connected while input type is not set for it. To clear the SEPR display, correct the wiring and cycle the power supply.

Alarms

Setting	Alarm type	Alarm output function
0	No alarm function	Positive alarm value (X) Negative alarm value (X)
1	Deviation upper/lower limit	ON OFF
		ON OFF
		ON OFF
2	Deviation upper limit	ON OFF
		ON OFF
		ON OFF
3	Deviation lower limit	ON OFF
		ON OFF
		ON OFF
4	Deviation upper/lower range	ON OFF
		ON OFF
		ON OFF
5	Deviation upper/lower limit standby sequence ON	ON OFF
		ON OFF
		ON OFF
6	Deviation lower limit standby sequence ON	ON OFF
		ON OFF
		ON OFF
7	Absolute value upper limit	ON OFF
		ON OFF
		ON OFF
8	Absolute value lower limit	ON OFF
		ON OFF
		ON OFF
9	Absolute value upper limit standby sequence ON	ON OFF
		ON OFF
		ON OFF
10	Absolute value lower limit standby sequence ON	ON OFF
		ON OFF
		ON OFF
11	Absolute value lower limit standby sequence ON	ON OFF
		ON OFF
		ON OFF
12	LBA (only for alarm 1)	ON OFF
		ON OFF
		ON OFF
13	PV Change Rate Alarm	ON OFF
		ON OFF
		ON OFF
14	SP absolute value upper limit	ON OFF
		ON OFF
		ON OFF
15	SP absolute value lower limit	ON OFF
		ON OFF
		ON OFF
16	MV absolute value upper limit	ON OFF
		ON OFF
		ON OFF
17	MV absolute value lower limit	ON OFF
		ON OFF
		ON OFF
18	RSP absolute value upper limit	ON OFF
		ON OFF
		ON OFF
19	RSP absolute value lower limit	ON OFF
		ON OFF
		ON OFF

*1: Upper and lower limits can be set for parameters 1, 4 and 5 to provide for different types of alarm. These are indicated by the letter "L" and "H".
 • The default alarm type is "2"

Conformance to EN/IEC Standards

This is a class A product. In residential areas it may cause radio interference, in which case the user may be required to take adequate measures to reduce interference.

A급 기기 (업무용 방송통신기자재)
 이 기기는 업무용(A급) 전자파적합기기로서 판매자 또는 사용자는 이 점을 주의하시기 바라며, 가정외의 지역에서 사용하는 것을 목적으로 합니다.

Warning Symbols

CAUTION

Minor injury due to electric shock may occasionally occur. Do not touch the terminals while power is being supplied.

Electric shock, fire, or malfunction may occasionally occur. Do not allow metal objects, conductors, cuttings from installation work, or moisture to enter the Digital Controller, the Setup Tool ports, or between the pins on the connectors on the Setup Tool cable.

Do not use the product where subject to flammable or explosive gas. Otherwise, minor injury from explosion may occasionally occur.

Never disassemble, modify, or repair the product or touch any of the internal parts. Minor electric shock, fire, or malfunction may occasionally occur.

CAUTION - Risk of Fire and Electric Shock
 a) This is the product UL listed as Open Type Process Control Equipment. It must be mounted in an enclosure that does not allow fire to escape externally.
 b) More than one disconnect switch may be required to de-energize the equipment before servicing.
 c) Signal inputs are SELV, limited energy.
 d) Caution: To reduce the risk of fire or electric shock, do not interconnect the outputs of different Class 2 circuits. If the output relays are used past their life expectancy, contact fusing or burning may occasionally occur. Always consider the application conditions and use the output relays within their rated load and electrical life expectancy. The life expectancy of output relays varies considerably with the output load and switching conditions.
 Loose screws may occasionally result in fire. Tighten the terminal screws to the specified torque of 0.43 to 0.58 Nm.

Set the parameters of the product so that they are suitable for the system being controlled. If they are not suitable, unexpected operation may occasionally result in property damage or accidents.

A malfunction in the Digital Controller may occasionally make control operations impossible or prevent alarm outputs, resulting in property damage. To maintain safety in the event of malfunction of the Digital Controller, take appropriate safety measures, such as installing a monitoring device on a separate line.

Suitability for Use

Omron Companies shall not be responsible for conformity with any standards, codes or regulations which apply to the combination of the Product in the Buyer's application or use of the Product.

At Buyer's request, Omron will provide applicable third party certification documents identifying ratings and limitations of use which apply to the Product. This information by itself is not sufficient for a complete determination of the suitability of the Product in combination with the end product, machine, system, or other application or use. Buyer shall be solely responsible for determining appropriateness of the particular product with respect to Buyer's application, product or system. Buyer shall take application responsibility in all cases.

NEVER USE THE PRODUCT FOR AN APPLICATION INVOLVING SERIOUS RISK TO LIFE OR PROPERTY WITHOUT ENSURING THAT THE SYSTEM AS A WHOLE HAS BEEN DESIGNED TO ADDRESS THE RISKS, AND THAT THE OMRON PRODUCT(S) IS PROPERLY RATED AND INSTALLED FOR THE INTENDED USE WITHIN THE OVERALL EQUIPMENT OR SYSTEM.

Precautions for Safe Use

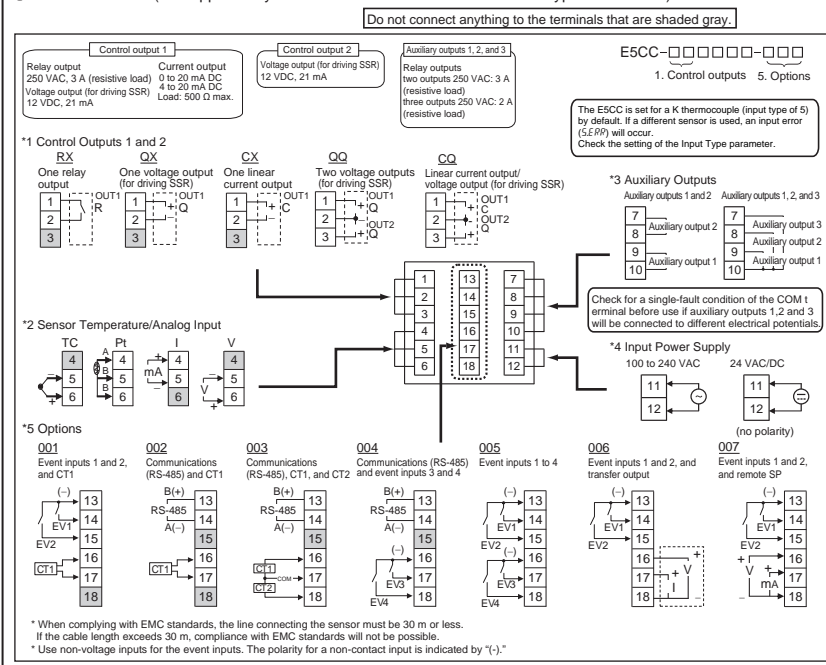
Be sure to observe the following precautions to prevent operation failure, malfunction, or adverse effects on the performance and functions of the product. Not doing so may occasionally result in unexpected events. Use the product within the following specifications.

- The product is designed for indoor use only. Do not use the product outdoors. Do not use or store the product in any of the following locations.
 - Places directly subject to heat radiated from heating equipment.
 - Places subject to splashing liquid or oil atmosphere.
 - Places subject to direct sunlight.
 - Places subject to dust or corrosive gas (in particular, sulfide gas and ammonia gas).
 - Places subject to intense temperature change.
 - Places subject to icing and condensation.
 - Places subject to vibration and large shocks.
- Use the product within the rated temperature and humidity ranges. Provide forced-cooling if required.
- Do not heat to the extent that, do not block the area around the product. To allow heat to ventilate holes on the product.
- Be sure to wire properly with correct polarity of terminals.
- Use the specified size of crimped terminals (M3, width 5.8 mm or less) for wiring. To connect bare wires to the terminal block, use copper braided or solid wires with a gauge of AWG24 to AWG18 (equal to cross-sectional area of 0.205 to 0.8231 mm²). (The stripping length is 6 to 8 mm.) Up to two wires of same size and type, or two crimped terminals can be inserted into a single terminal.
- Do not wire the terminals which are not used.
- Allow as much space as possible between the controller and devices that generate a powerful high-frequency or surge. Separate the high-voltage or large-current power lines from other lines, and avoid parallel or common wiring with the power lines when you are wiring to the terminals.
- Use this product within the rated load and power supply.
- Make sure that the rated voltage is attained within two seconds of turning ON the power using a switch or relay contact. If the voltage is applied gradually, the power may not be reset or output malfunctions may occur.
- Make sure that the Digital Controller has 30 minutes or more to warm up after turning ON the power before starting actual control operations to ensure the correct temperature display.
- When executing self-tuning, turn the load and the unit ON simultaneously, or turn the load ON before you turn the controller ON.
- A switch or circuit breaker should be provided close to this unit. The switch or circuit breaker should be within easy reach of the operator, and must be marked as a disconnecting means for this unit.
- Wipe off any dirt from the Digital Controller with a soft dry cloth. Never use thinners, benzene, alcohol, or any cleaners that contain these or other organic solvents. Deformation or discoloration may occur.
- Design system (control panel, etc) considering the 2 second of delay that the controller's output is set after power ON.
- The output will turn OFF when you move to the Initial Setting Level. Take this into consideration when performing control.
- The number of non-volatile memory write operations is limited. Therefore, use RAM write mode when frequently overwriting data during communications or other operations.
- When disassembling the Temperature Controller for disposal, use suitable tools.
- Do not exceed the communications distance that is given in the specifications and use the specified communications cable. Refer to the E5CC Digital Controllers User's Manual (Cat. No.H174) for the communications distances and cable specifications.
- Do not turn the power supply to the Digital Controller ON or OFF while the USB-Serial Conversion Cable is connected. The Digital Controller may malfunction.
- The maximum terminal temperature is 75°C. Use wires with heat resistance of 75°C min to wire the terminals.

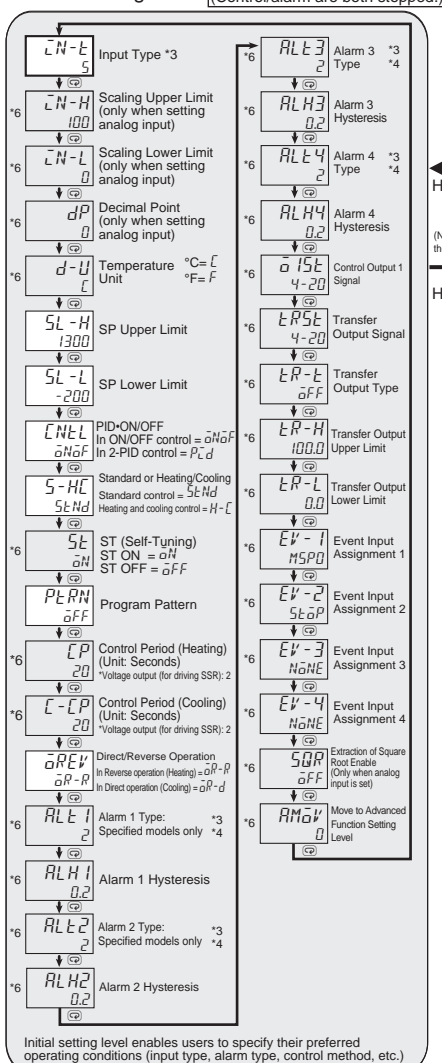
Specifications

Power supply voltage	100 to 240 VAC, 50/60 Hz or 24 VDC, 50/60 Hz / 24 VDC
Operating voltage range	85 to 110% of the rated voltage
Power consumption	Option 000: 5.2 VA max. (100 to 240 VAC) 3.1 VA max. (24 VDC) 1.6 W max. (24 VDC) 6.5 VA max. (100 to 240 VAC) 4.1 VA max. (24 VDC) 2.3 W max. (24 VDC)
All other specifications:	Thermocouple: (±0.3% of indication value or ±1°C, whichever is greater) ±1 digit max. Platinum resistance thermometer: (±0.2% of indication value or ±0.8°C, whichever is greater) ±1 digit max. Analog input: ±0.2% FS ±1 digit max. Output current: approx. 7 mA per contact. Contact input: ON: residual voltage 1.5 V max. OFF: leakage current 0.1 mA max. No-contact input: 0 to 5 V DC or 1 to 5 V DC or 0 to 10 V DC
Remote SP input	250 VAC, 3A (resistorist load) Electrical life of relay: 100,000 operations Voltage output (for driving SSR): 12 VDC ±20%, 21 mA Current output: 4 to 20 mA DC, 0 to 20 mA AC Load: 500 Ω max.
Control output 1	250 VAC, 3A (resistorist load) Electrical life of relay: 100,000 operations Voltage output (for driving SSR): 12 VDC ±20%, 21 mA Current output: 4 to 20 mA DC, 0 to 20 mA AC Load: 500 Ω max.
Control output 2	ON/OFF or 2-PID control Relay outputs: SPST-NO, 250 VAC, two outputs: 3 A (resistorist load), three outputs: 2 A (resistorist load), Electrical life of relay: 100,000 operations 4 to 20 mA DC or 0 to 20 mA AC 0 to 5 V DC or 1 to 5 V DC or 0 to 10 V DC
Control method	ON/OFF or 2-PID control
Auxiliary outputs	Relay outputs: SPST-NO, 250 VAC, two outputs: 3 A (resistorist load), three outputs: 2 A (resistorist load), Electrical life of relay: 100,000 operations 4 to 20 mA DC or 0 to 20 mA AC 0 to 5 V DC or 1 to 5 V DC or 0 to 10 V DC
Transfer output	250 VAC, 3A (resistorist load) Electrical life of relay: 100,000 operations 4 to 20 mA DC or 0 to 20 mA AC 0 to 5 V DC or 1 to 5 V DC or 0 to 10 V DC
Ambient temperature	0 to 55°C (Avoid freezing or condensation)
Humidity	25% to 85% (Avoid freezing or condensation)
Storage temperature	-25 to 65°C (Avoid freezing or condensation)
Altitude	Max. 2,000m
Recommended fuse	T2A, 250 VAC, time-lag, low-breaking capacity
Weight	Approx. 120 g (Digital Controller only)
Degree of protection	Front panel: IP65 Rear case: IP20, Terminal section: IP00
Installation environment	Installation category II, pollution degree 2 (as per IEC61010-1)
Memory protection	Non-volatile memory (Number of write operations: 1,000,000) Short term: 1200 V+ (power supply voltage) Long term: 250 V+ (power supply voltage)
Temporary overvoltage	

Connections (The applicability of the electric terminals varies with the type of machine.)



Initial Setting Level (Control/alarm are both stopped.)



*3: Refer to the adjoining tables for details of input types and alarm types.
 *4: Applicable only to models with alarm functions.
 *5: Operation is stopped when moved to the initial setting level. (control/alarm are both stopped).
 *6: The grayed-out setting items are not displayed for some models and some settings of other setting items.
 *7: Applicable only to models with heater burnout functions.
 *8: The four numeric digits of the product code are displayed in the No. 2 display. The setting cannot be changed and there is nothing that you need to set.

Conformance to Safety Standard

Reinforced insulation is provided between input power supply, relay outputs, and between other terminals.

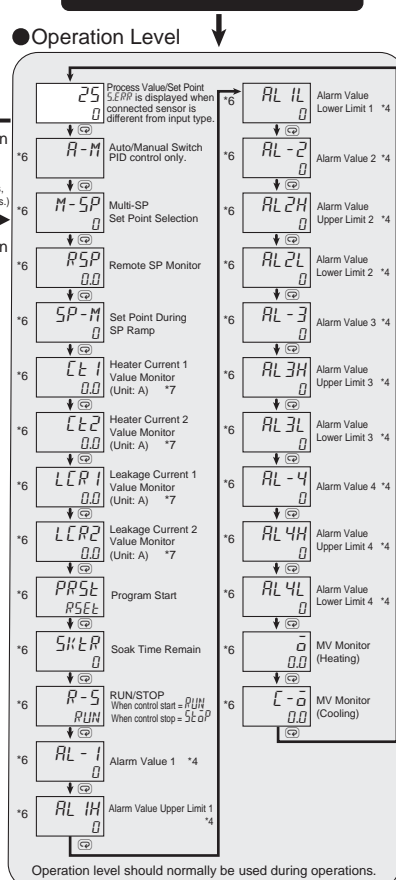
Due to UL Listing requirements, use the E54-CT1L or E54-CT3L current transformer with the factory wiring (internal wiring). Use a UL category X0BA or X0BA7 current transformer that is UL Listed for field wiring (external wiring) and not the factory wiring (internal wiring).

Always externally connect the recommended fuse that is specified in the Instruction Manual before you use the Digital Controller.

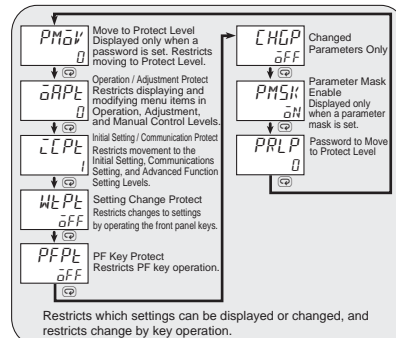
Analog Input
 • If you input an analog voltage or current, set the Input Type parameter to the correct input type.
 • Do not use the Digital Controller to measure a circuit with Measurement Category II, III, or IV.
 • Do not use the Digital Controller to measure an energized circuit to which a voltage that exceeds 30 Vrms or 60 VDC is applied.

The protection provided by the Digital Controller may be impaired if the Digital Controller is used in a manner that is not specified by the manufacturer.

Operation Level



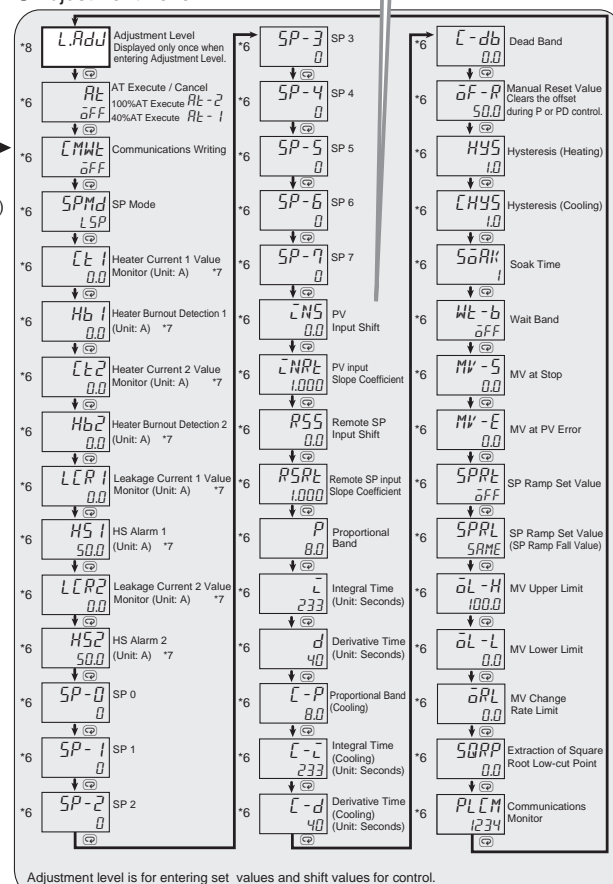
Protect Level



Other functions

Refer to the E5CC Digital Controllers User's Manual (Cat. No. H174) for information on the Advanced Function Setting Level, Manual Control Level, and other functions.
 Refer to the E5CC Digital Controllers Communications Manual (Cat. No. H175) for information on communications.

Adjustment Level



Error Display (troubleshooting)

When an error has occurred, the No.1 display shows the error code. Take necessary measure according to the error code, referring the table below.

No.1 display	Meaning	Action	Status at error
SEPR (S.ERR)	Input error *2	Check the setting of the Input Type parameter, check the input wiring, and check for broken or shorts in the temperature sensor.	Control OFF Alarm Operates as above the upper limit.
E333 (E333)	A/D converter error *2	After the correction of A/D converter error, turn the power OFF then back ON again. If the display remains the same, the controller must be repaired. If the display is restored to normal, there a probable cause can be external noise affecting the control system. Check for external noise.	Control OFF Alarm OFF
E111 (E111)	Memory error	Turn the power OFF then back ON again. If the display remains the same, the controller must be repaired. If the display is restored to normal, there a probable cause can be external noise affecting the control system. Check for external noise.	Control OFF Alarm OFF

If the input value exceeds the display limit (-1999 to 9999), though it is within the control range, [E333] will be displayed under -1999 and [E333] above 9999. Under these conditions, control output and alarm output will operate normally. Refer to the E5CC Digital Controllers User's Manual (Cat. No. H174) for the controllable ranges.

*2: Error shown only for "Process value / Set point". Not shown for other status.

OMRON EUROPE B.V.
 Wegalaan 67-69, NL-2132 JD Hoofddorp The Netherlands
 Phone 31-2356-81-300
 FAX 31-2356-81-388
 OMRON ELECTRONICS LLC
 One Commerce Drive Schaumburg, IL 60173-5302 U.S.A.
 Phone 1-847-843-7900
 FAX 1-847-843-7787
 OMRON ASIA PACIFIC PTE. LTD.
 No. 438A, Alexandra Road # 05-05/08 (Lobby 2),
 Alexandra Technopark, Singapore 119967
 Phone 65-6835-3011
 FAX 65-6835-2711
 OMRON Corporation
 Shiokoji Horikawa, Shimogyo-ku, Kyoto 600-8530 JAPAN

