

Autonomous Mobile Robots HD Series

Autonomous Mobile Robots that self-navigate to transport payloads up to 1500 kg

- Natural feature navigation:
Automatically plans efficient routes and prevents collisions;
capable of full reverse navigation
- Fleet management:
Operates in coordination with a fleet of up to 100 AMRs
- Easy deployment:
Installs quickly, without facility modifications



Ordering Information

Type	HAPS	Side Lasers	Charging Station	Pendant	Top Plate	Part Number
HD-1500	No	No		No		37480-00000
		Yes				37480-00010
		No	Yes	No		37480-00002
		No		Yes		37480-10004
	Yes	37480-10014				
	Single	No			No	37480-00100
		Yes				37480-00110
		No		Yes		37480-10104
		Yes				37480-10114
	Double	No			No	37480-00200
		Yes				37480-00210
		No		Yes		37480-10204
		Yes				37480-10214

- Note:**
1. To ensure proper fleet management, please contact an OMRON representative before ordering AMRs to add to an existing fleet.
 2. The battery for the HD-1500 must be ordered separately (part number 68330-000).

HD Series

Accessories and Optional Items

Item	Details	Part Number
EM2100 Appliance	Appliance that runs any Fleet Operations Workspace Solutions software. 120 day factory trial license included. Refer to Fleet Operations Workspace (FLOW) Licenses below for more information.	20271-900 (Primary Fleet Manager) 20271-901 (Secondary Fleet Manager) 20271-903 (Bundle with Fleet Simulator License)
Mobile I/O Box	Used with a Fleet Manager to summon an AMR to a goal or control connected devices with I/O	23419-802
Mobile I/O Box Power Supply	Recommended for purchase with the Mobile I/O Box	23419-812
Top Plate Kit	Upper plate kit of the AMR. It is not necessary for building a customer payload structure	68950-000
Pendant	Handheld, external input device for manually driving an AMR, typically used for map creation	68940-000L
Charging Station	Includes a Power Supply Box and Docking Target	68910-010
Power Supply Box	Supplies power to the Docking Target or battery for charging purposes	68310-000
Docking Target	A fixed object connected to the Power Supply Box that the AMR docks to for autonomous charging	68910-000
Battery	Removable and rechargeable power source for the AMR	68330-000
Side Laser Kit	Includes side lasers, mounting kit, cables, and hardware	68945-010
Side Laser Extension Cable, Communication	One cable, 1 m length	22115-000F
	One cable, 2 m length	22117-000F
Side Laser Extension Cable, Power	One cable, 1 m length	22800-000F
	One cable, 2 m length	22802-000F
Wireless Antenna Extension Kit	Two cables, 2 m length each, two dipole antennas	68955-000
High Accuracy Positioning System (HAPS), single sensor	AMR Alignment using magnetic floor tape. Includes single HAPS sensor kit.	68925-010
High Accuracy Positioning System (HAPS), double sensor	AMR Alignment using magnetic floor tape. Includes double HAPS sensor kit.	68925-020
High Accuracy Positioning System (HAPS) magnetic tape	25 mm wide magnetic tape (South top side, 49 m roll)	14925-000

* Before ordering lithium-ion batteries, please verify local shipping regulations to ensure compliance with applicable laws and restrictions.

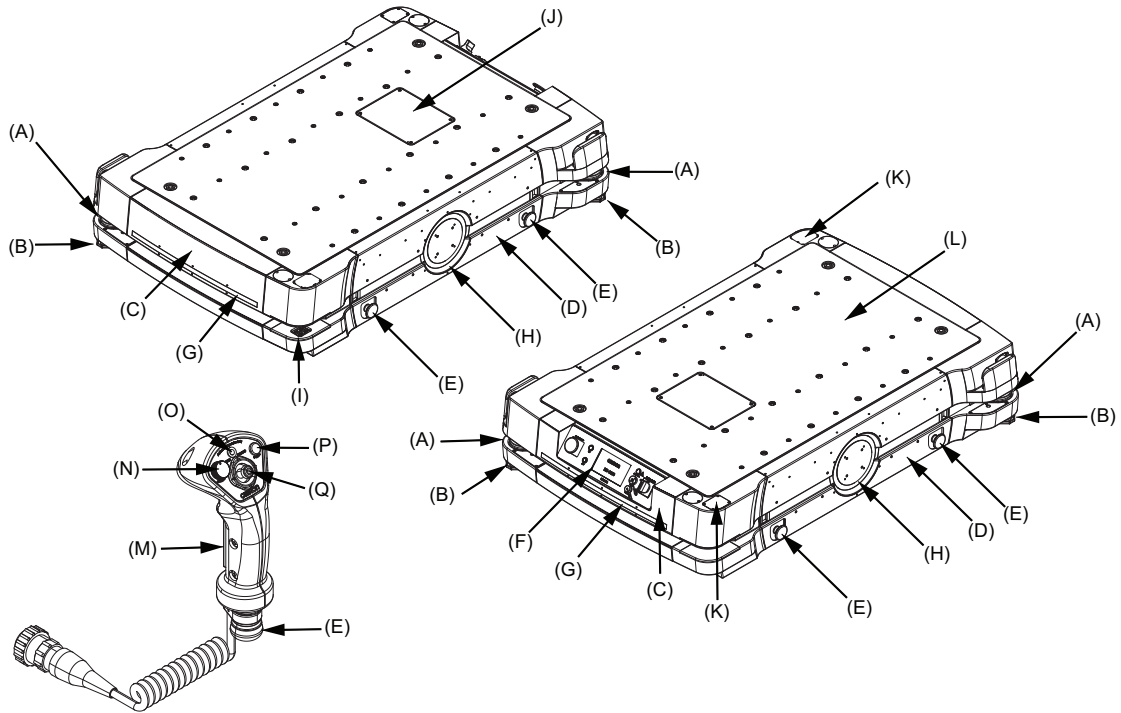
Fleet Operations Workspace (FLOW) Licenses

Product Name	Configuration	Part Number
Primary Fleet Operations Workspace (FLOW) Core License, 1 Year *1	Entitlement for a 1 year renewable Primary FLOW Core license, runtime and development, per AMR connection	20271-800
Primary Fleet Operations Workspace (FLOW) Core License, 5 Year *2	Entitlement for a 5 year renewable Primary FLOW Core license, runtime and development, per AMR connection	20271-806
Secondary Fleet Operations Workspace (FLOW) Core License, 1 Year *1	Entitlement for a 1 year renewable Secondary FLOW Core license per fleet, redundant runtime	20271-802
Secondary Fleet Operations Workspace (FLOW) Core License, 5 Year *2	Entitlement for a 5 year renewable Secondary FLOW Core license per fleet, redundant runtime	20271-807
License, Fleet Simulator	Entitlement for perpetual Fleet Simulator license for use with existing Fleet Manager appliance, simulation runtime and development	20271-804
License, Fleet Operations Workspace iQ	Entitlement for a 1 year renewable FLOW iQ license	20271-701
	Entitlement for a 5 year renewable FLOW iQ license	20271-705
Cell Alignment Positioning System (CAPS) License	AMR Alignment using software-defined target. Entitlement for a perpetual CAPS license	20271-805

Note: To obtain the latest version of the Fleet Operations Workspace (FLOW) Core software, contact your local OMRON representative. Please note that an active subscription is required for access to software upgrades.

- *1. Expiration of a 1 year subscription license without renewal will result in cessation of the fleet management functions of the OMRON AMR solution until the license is renewed.
- *2. After five consecutively licensed years (either one 5 year license or five 1 year licenses), all fleet management functions will continue to operate without requiring subsequent subscription renewals. An active subscription will still be required to access subsequent software releases, including bug fixes, feature upgrades, and performance improvements.

Features and Components



Item	Description	Item	Description
A	Safety Laser Scanner	J	User Access Panel
B	Low Laser	K	Wireless Antennas
C	Front / Rear Skin	L	Payload Mounting Surface (Top Plate shown)
D	Side Skin	M	Three-position Enabling Switch
E	E-STOP Button *	N	Speed Control
F	Operator Panel	O	Power Indicator LED
G	Light Strip	P	Goal Button
H	Light Disc	Q	Directional Control Stick
I	Charging Contacts		

* An additional E-STOP button is provided on the Operator Panel.

HD Series

Specifications

HD-1500

Item		Details
Weight (with Battery)		506.5 kg
Environment	Ambient temperature	5 to 40°C
	Storage temperature	-20 to 60°C
	Ambient humidity	5 to 95% (non-condensing)
	Operating environment	Indoor usage only, no excessive dust, no corrosive gas or liquid
	Altitude	2000 m maximum
	Ingress Protection Class	IP20
	Enclosure Rating	Type 1
	Cleanroom rating	ISO 6 / Class 1000
Floor Conditions	Floor requirements	No water, no oil, no dirt
	Minimum floor flatness	F _F 25 (ACI 117 standard)
	Traversable step	10 mm max.
	Traversable gap	20 mm max.
	Maximum Slope	Max. 1.8° / 3% incline
	Minimum floor compressive strength	5 Mpa
	Minimum coefficient of friction	0.6
Navigation	Routing	Autonomous routing by localizing with safety scanning laser, based on environment mapping
	Environmental map-making method	Scan by driving the AMR through the environment, and upload the scan data to the MobilePlanner
	Low Lasers	Two Low Lasers are provided to detect obstacles below the scanning plane of the Safety Laser Scanners.
	Side Lasers (optional)	Two optional Side Lasers can be added for object detection in the vertical plane.
Visual Indicators		Light discs are located on the sides of the AMR. Light strips are located on the front and back of the AMR. Additional indicators can be added.
Maximum Payload Capacity		1500 kg
Mobility	Run Time *1	12.5 h (no payload), 9 h (full payload)
	Maximum translational speed (forward and reverse)	1800 mm/s
	Maximum rotational speed *2	60 °/s
	Swing radius	982 mm
	Turn radius	0 mm
	Maximum translational acceleration	900 mm/s ²
	Maximum rotational acceleration/deceleration	150 °/s ²
	Maximum moment of inertia	490 kg·m ²
	Stop position repeatability (single AMR)	To a position: ±50 mm To standard target: ±25 mm, ±2° With HAPS: ±8 mm, ±0.4° With CAPS: ±8 mm, ±0.5°
	Stop position repeatability (Fleet)	To a position: ±70 mm To standard target: ±35 mm, ±2° With HAPS: ±10 mm, ±0.75° With CAPS: ±16 mm, ±0.5°
Drive wheels	Materials	Non-marking, static dissipative polyurethane on steel rim
Passive casters	Materials	Non-marking polyurethane on cast iron rim.
Auxiliary Power	Unregulated	48 to 56 VDC
	Regulated	23.0 to 25.2 VDC
Standard	Harmonized standard	EN ISO 12100, EN ISO 13849-1, EN 60204-1
	Relevant standard	ISO 10218, UL1564, UL2271, UL1740
	Wireless	IEEE 802.11 a/b/g/n/ac

Item		Details
Signal Interfaces	Wireless	Two integrated wireless antennas
	Ethernet port	Two RJ-45 ports included for maintenance and access to the internally mounted NX102 unit.
	Digital I/O	Eight PNP (sourcing) inputs Eight PNP (sourcing) outputs
	Analog I/O	Four -10 to +10 VDC analog inputs Four -10 to +10 VDC analog outputs
	Audio	Digital audio out
Safety Features	Safety Scanning Lasers	Two Safety Scanning Lasers are included to provide a 360° detection area around the AMR. The scanning plane is positioned 175 mm above the floor. Lasers are rated as Class 1, eye-safe, PLd Safety per ISO 13849-1.
	E-STOP Buttons	Five E-STOP buttons are located on the AMR (sides and Operator Panel). Additional E-STOP buttons can be added to the payload structure.
	Audible Indicators	Two speakers are included. Additional buzzers can be added.
	Emergency Stop Interface	Dual channel emergency stop inputs and outputs.
	Safety Outputs	Dual channel safety outputs.
	Protective Stop Interface	Dual channel protective stop inputs.
Operator Panel	Display	7-inch diagonal LCD.
	Controls	<ul style="list-style-type: none"> • E-STOP button • ON/OFF buttons • Brake release button • Pendant port • Maintenance port • Main disconnect switch

*1. Auxiliary power draw will impact these times.

*2. The maximum rotational speed is reduced to 45 °/s when the AMR is traveling at speeds over 300 mm/s.

HD Series

MobilePlanner Software Requirements

MobilePlanner, PC	Operating System	Windows 10 (32-bit/64-bit version)
	CPU	1.5 GHz dual-core CPU recommended
	Main Memory	1.5 GB min. (4 GB min. recommended)
	Hard Disk	At least 200 MB of available space
	Video Memory	256 MB min.
MobilePlanner, Tablet Edition	Operating System	Android OS, Version 9 or newer, minimum 2 GB of RAM
		iOS, Version 10 or newer
Supported Languages		English, German, Japanese, French, Italian, Korean, Spanish, Simplified Chinese and Traditional Chinese.

EM2100 Appliance

Weight	9.1 kg
Mounting method	1U rack mount in a standard 19-inch equipment rack
Power Supply	100 to 240 VAC (typical 100 W)
Power Consumption	200 W max.
Operating Temperature	10 to 35°C
Storage Temperature	-25 to 60°C
Operating Humidity	8 to 90%, non-condensing
Storage Humidity	5 to 95%, non-condensing
Ingress Protection Class	IP20
Main Memory	32 GB DDR3
Storage	60 GB SSD
Archive Storage	4 TB HDD
Communication port	10/100/1000 Ethernet × 4, USB × 4, VGA
Status Display	Multi-segment LCD

Charging Station

Maximum Current	Input current: 25 A Output current: 120 A (nominal) *
Input Voltage	3-phase 200 to 240 VAC, 50/60 Hz (Delta/Wye) 380 to 415 VAC, 50/60 Hz (Wye only)
Output voltage	40 to 57 VDC
Power Consumption	7.75 kW
Maximum Power Output	6.84 kW
Humidity	5 to 95%, non-condensing
Ambient Operating Temperature	5 to 40°C
Storage Temperature	-20 to 60°C
Ingress Protection Class	IP20 (IP10 for charging pads)
Weight	Power Supply Box: 108 kg Docking Target: 27.5 kg
Docking Target Mounting	To floor and/or wall

* Fused at 150 A

High Accuracy Positioning System

Ingress Protection		IP64
Environment		-40 to 85°C
Magnetic Tape	Width	25 mm
	Orientation	South up
Markers (Magnetic Tape)	Width	25 mm
	Length	300 mm min. for 500 mm/s drive speed
	Orientation	North up
	Separation from tape	20 to 30 mm
Protective covering tape (recommended)		Mighty Line Safety Floor Tape, Solid (102 mm width)
Stop Position Repeatability	Single AMR	±8 mm position, ±0.4° rotation
	Fleet	±10 mm position, ±0.75° rotation

Cell Alignment Positioning System (CAPS)

Stop Position Repeatability - Single AMR	±8 mm position, ±0.5° rotation
Stop Position Repeatability - Fleet	±16 mm position, ±0.5° rotation
Type	Software license

Pendant

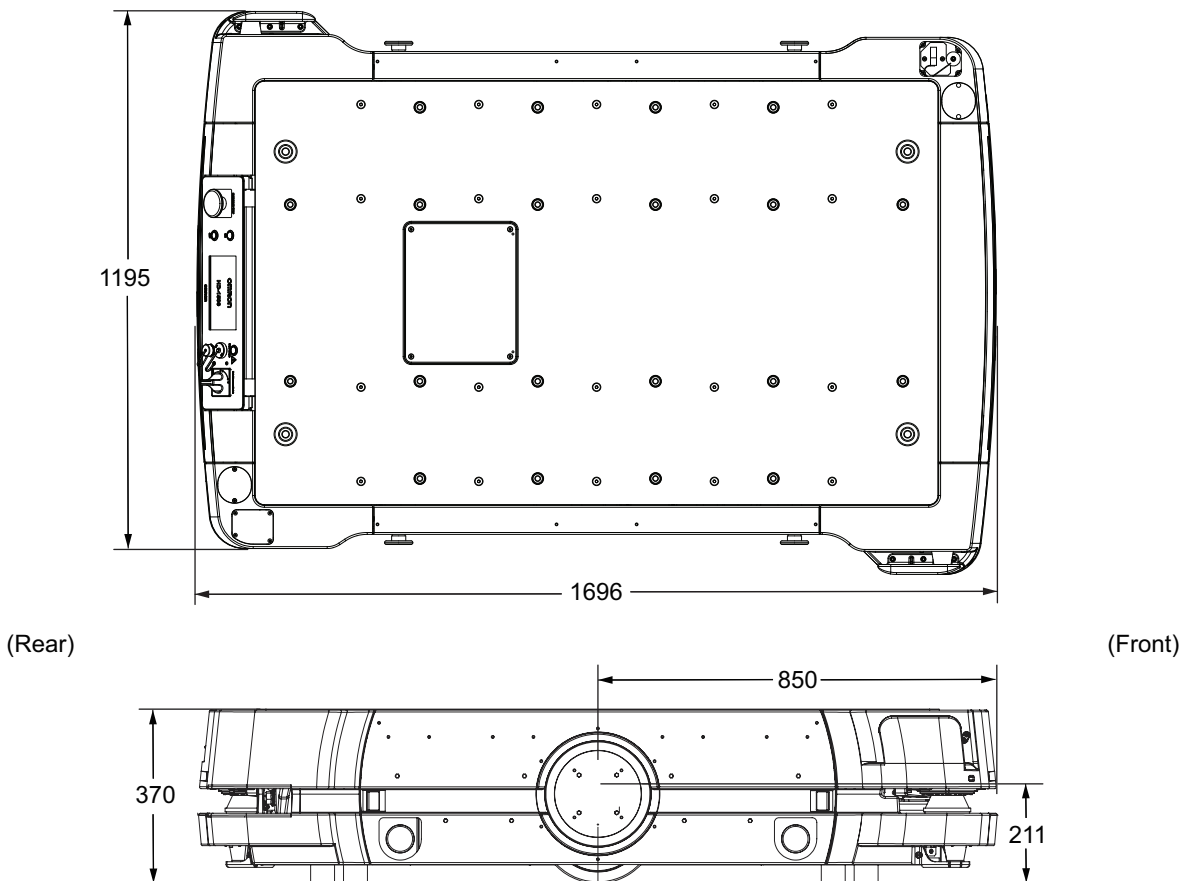
Ambient Operating Temperature	0 to 40°C
Storage Temperature	-20 to 65°C
Humidity	5 to 95%, non-condensing
Altitude	2000 m
Ingress Protection Class	IP30

Battery

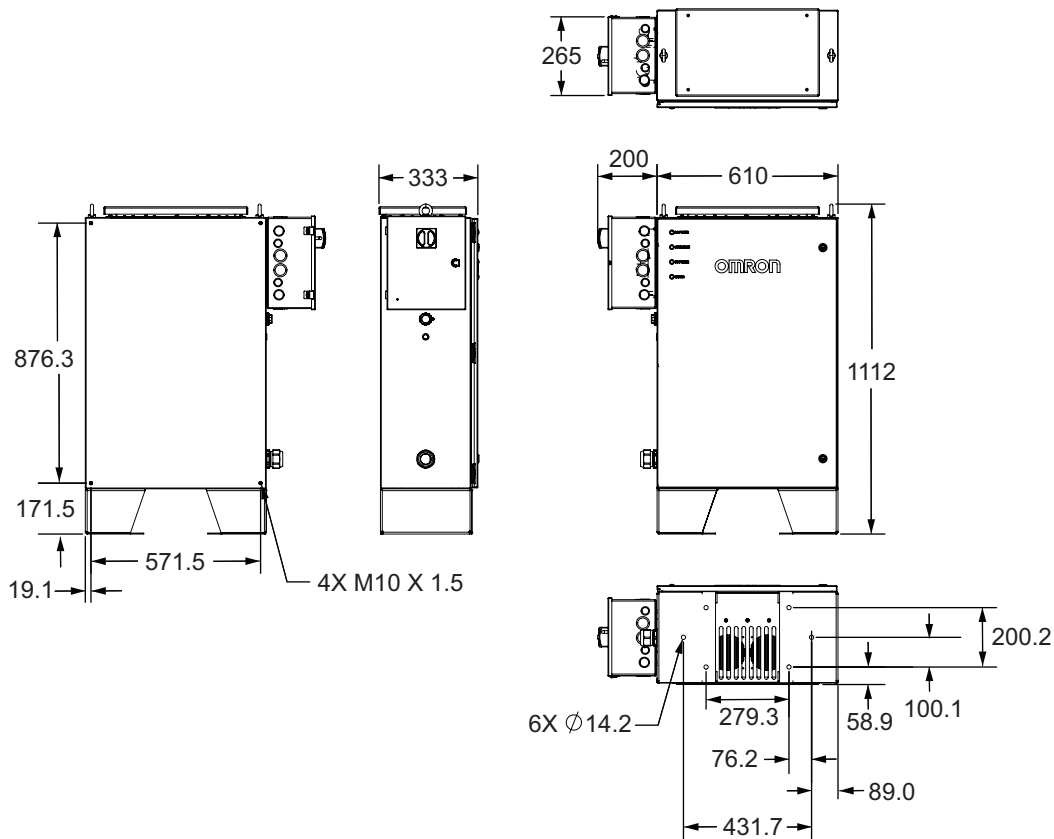
Type	Lithium Ion
Voltage	48 to 56 VDC (52.8 nominal)
Capacity	70 Ah nominal
Recharge Time	21 min. (20% to 80% charge)
Charge Cycles	9000 recharge cycles (battery cell nominal)
Charging Method	Automatic or manual
Ambient Operating Temperature	5 to 40°C
Storage Temperature	-20 to 60°C (less than 2 weeks) -20 to 35°C (more than 2 weeks)
Humidity	5 to 95%, non-condensing
Altitude	4500 m, operating 15240 m, transporting
Ingress Protection Class	IP20
Weight	69.5 kg

Dimensions

HD-1500 AMR

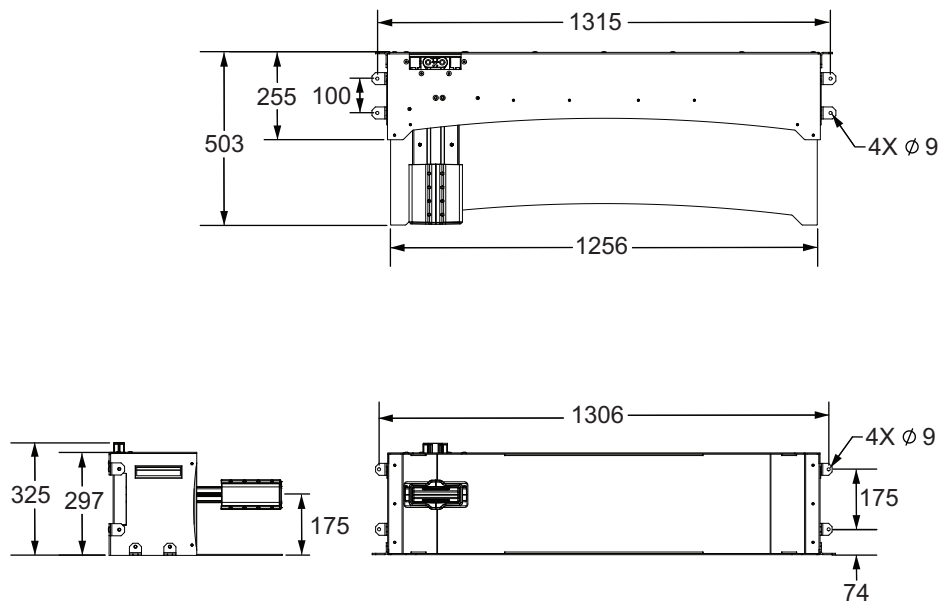


Power Supply Box

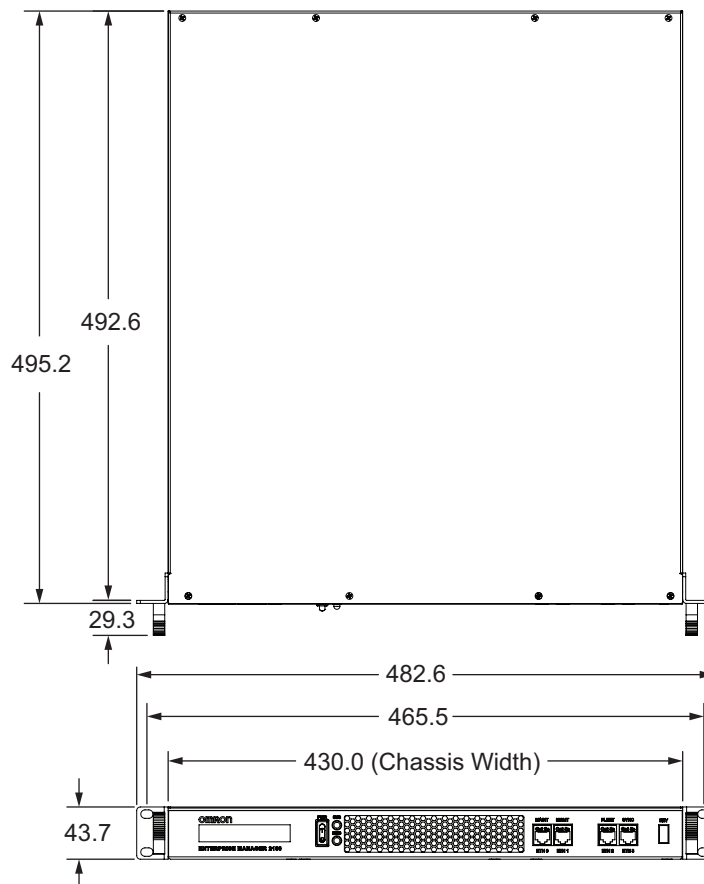


HD Series

Docking Target



Fleet Manager EM2100 Appliance



Related Manuals

Manual No.	Title
I614	Mobile Robot Software Suite User's Guide
I617	Advanced Robotics Command Language Reference Manual
I618	Advanced Robotics Command Language Enterprise Manager Integration Manual
I634	EM2100 Installation Manual
I615	Enterprise Manager User Guide (this covers the EM1100, not the EM2100)
I635	Fleet Operations Workspace Core User's Manual
I636	Fleet Operations Workspace Core Migration Manual
I637	Fleet Operation Workspace Core Integration Toolkit User Manual
I665	Fleet Operations Workspace iQ User's Manual
I649	Fleet Simulator User's Manual
I645	HD-1500 Platform User's Manual
I647	Mobile Robot HD Safety Manual
I677	Mobile I/O Box User's Manual

- Intel, Xeon and Intel Xeon are trademarks of Intel Corporation in the U.S. and/or other countries.
- Other company names and product names in this document are the trademarks or registered trademarks of their respective companies.
- The product photographs and figures that are used in this catalog may vary somewhat from the actual products.
- Microsoft product screen shot(s) reprinted with permission from Microsoft Corporation.

MEMO

Terms and Conditions Agreement

Read and understand this catalog.

Please read and understand this catalog before purchasing the products. Please consult your OMRON representative if you have any questions or comments.

Warranties.

(a) Exclusive Warranty. Omron's exclusive warranty is that the Products will be free from defects in materials and workmanship for a period of twelve months from the date of sale by Omron (or such other period expressed in writing by Omron). Omron disclaims all other warranties, express or implied.

(b) Limitations. OMRON MAKES NO WARRANTY OR REPRESENTATION, EXPRESS OR IMPLIED, ABOUT NON-INFRINGEMENT, MERCHANTABILITY OR FITNESS FOR A PARTICULAR PURPOSE OF THE PRODUCTS. BUYER ACKNOWLEDGES THAT IT ALONE HAS DETERMINED THAT THE PRODUCTS WILL SUITABLY MEET THE REQUIREMENTS OF THEIR INTENDED USE.

Omron further disclaims all warranties and responsibility of any type for claims or expenses based on infringement by the Products or otherwise of any intellectual property right. (c) Buyer Remedy. Omron's sole obligation hereunder shall be, at Omron's election, to (i) replace (in the form originally shipped with Buyer responsible for labor charges for removal or replacement thereof) the non-complying Product, (ii) repair the non-complying Product, or (iii) repay or credit Buyer an amount equal to the purchase price of the non-complying Product; provided that in no event shall Omron be responsible for warranty, repair, indemnity or any other claims or expenses regarding the Products unless Omron's analysis confirms that the Products were properly handled, stored, installed and maintained and not subject to contamination, abuse, misuse or inappropriate modification. Return of any Products by Buyer must be approved in writing by Omron before shipment. Omron Companies shall not be liable for the suitability or unsuitability or the results from the use of Products in combination with any electrical or electronic components, circuits, system assemblies or any other materials or substances or environments. Any advice, recommendations or information given orally or in writing, are not to be construed as an amendment or addition to the above warranty.

See <http://www.omron.com/global/> or contact your Omron representative for published information.

Limitation on Liability; Etc.

OMRON COMPANIES SHALL NOT BE LIABLE FOR SPECIAL, INDIRECT, INCIDENTAL, OR CONSEQUENTIAL DAMAGES, LOSS OF PROFITS OR PRODUCTION OR COMMERCIAL LOSS IN ANY WAY CONNECTED WITH THE PRODUCTS, WHETHER SUCH CLAIM IS BASED IN CONTRACT, WARRANTY, NEGLIGENCE OR STRICT LIABILITY.

Further, in no event shall liability of Omron Companies exceed the individual price of the Product on which liability is asserted.

Suitability of Use.

Omron Companies shall not be responsible for conformity with any standards, codes or regulations which apply to the combination of the Product in the Buyer's application or use of the Product. At Buyer's request, Omron will provide applicable third party certification documents identifying ratings and limitations of use which apply to the Product. This information by itself is not sufficient for a complete determination of the suitability of the Product in combination with the end product, machine, system, or other application or use. Buyer shall be solely responsible for determining appropriateness of the particular Product with respect to Buyer's application, product or system. Buyer shall take application responsibility in all cases.

NEVER USE THE PRODUCT FOR AN APPLICATION INVOLVING SERIOUS RISK TO LIFE OR PROPERTY OR IN LARGE QUANTITIES WITHOUT ENSURING THAT THE SYSTEM AS A WHOLE HAS BEEN DESIGNED TO ADDRESS THE RISKS, AND THAT THE OMRON PRODUCT(S) IS PROPERLY RATED AND INSTALLED FOR THE INTENDED USE WITHIN THE OVERALL EQUIPMENT OR SYSTEM.

Programmable Products.

Omron Companies shall not be responsible for the user's programming of a programmable Product, or any consequence thereof.

Performance Data.

Data presented in Omron Company websites, catalogs and other materials is provided as a guide for the user in determining suitability and does not constitute a warranty. It may represent the result of Omron's test conditions, and the user must correlate it to actual application requirements. Actual performance is subject to the Omron's Warranty and Limitations of Liability.

Change in Specifications.

Product specifications and accessories may be changed at any time based on improvements and other reasons. It is our practice to change part numbers when published ratings or features are changed, or when significant construction changes are made. However, some specifications of the Product may be changed without any notice. When in doubt, special part numbers may be assigned to fix or establish key specifications for your application. Please consult with your Omron's representative at any time to confirm actual specifications of purchased Product.

Errors and Omissions.

Information presented by Omron Companies has been checked and is believed to be accurate; however, no responsibility is assumed for clerical, typographical or proofreading errors or omissions.

Note: Do not use this document to operate the Unit.

OMRON Corporation Industrial Automation Company

Kyoto, JAPAN

Contact : www.ia.omron.com

Regional Headquarters

OMRON EUROPE B.V.

Wegalaan 67-69, 2132 JD Hoofddorp
The Netherlands
Tel: (31) 2356-81-300 Fax: (31) 2356-81-388

OMRON ASIA PACIFIC PTE. LTD.
438B Alexandra Road, #08-01/02 Alexandra
Technopark, Singapore 119968
Tel: (65) 6835-3011 Fax: (65) 6835-3011

OMRON ELECTRONICS LLC

2895 Greenspoint Parkway, Suite 200
Hoffman Estates, IL 60169 U.S.A.
Tel: (1) 847-843-7900 Fax: (1) 847-843-7787

OMRON ROBOTICS AND SAFETY TECHNOLOGIES, INC.
4225 Hacienda Drive, Pleasanton, CA 94588 U.S.A.
Tel: (1) 925-245-3400 Fax: (1) 925-960-0590

OMRON (CHINA) CO., LTD.

Room 2211, Bank of China Tower, 200 Yin Cheng Zhong Road,
PuDong New Area, Shanghai, 200120, China
Tel: (86) 21-6023-0333 Fax: (86) 21-5037-2388

Authorized Distributor:

©OMRON Corporation 2021-2023 All Rights Reserved.
In the interest of product improvement,
specifications are subject to change without notice.

CSM_4_1

Cat. No. 1855-E-06 0823 (0921)

31500-520F